

THIS INSTRUMENT WAS PREPARED BY:
RICKIE C. WEINBERG
CARMAN-PROCTOR AND ASSOCIATES, INC.
CONSULTING ENGINEERS
 SURVEYORS ENGINEERS PLANNERS
 6191 WEST ATLANTIC BLVD., MARGATE, FLORIDA 33063
 FEBRUARY 1994 8706062F JSH

BOCA GREENS (WEST PHASE) P.U.D.

208-022

BOCA ISLES SOUTH PHASE 5F

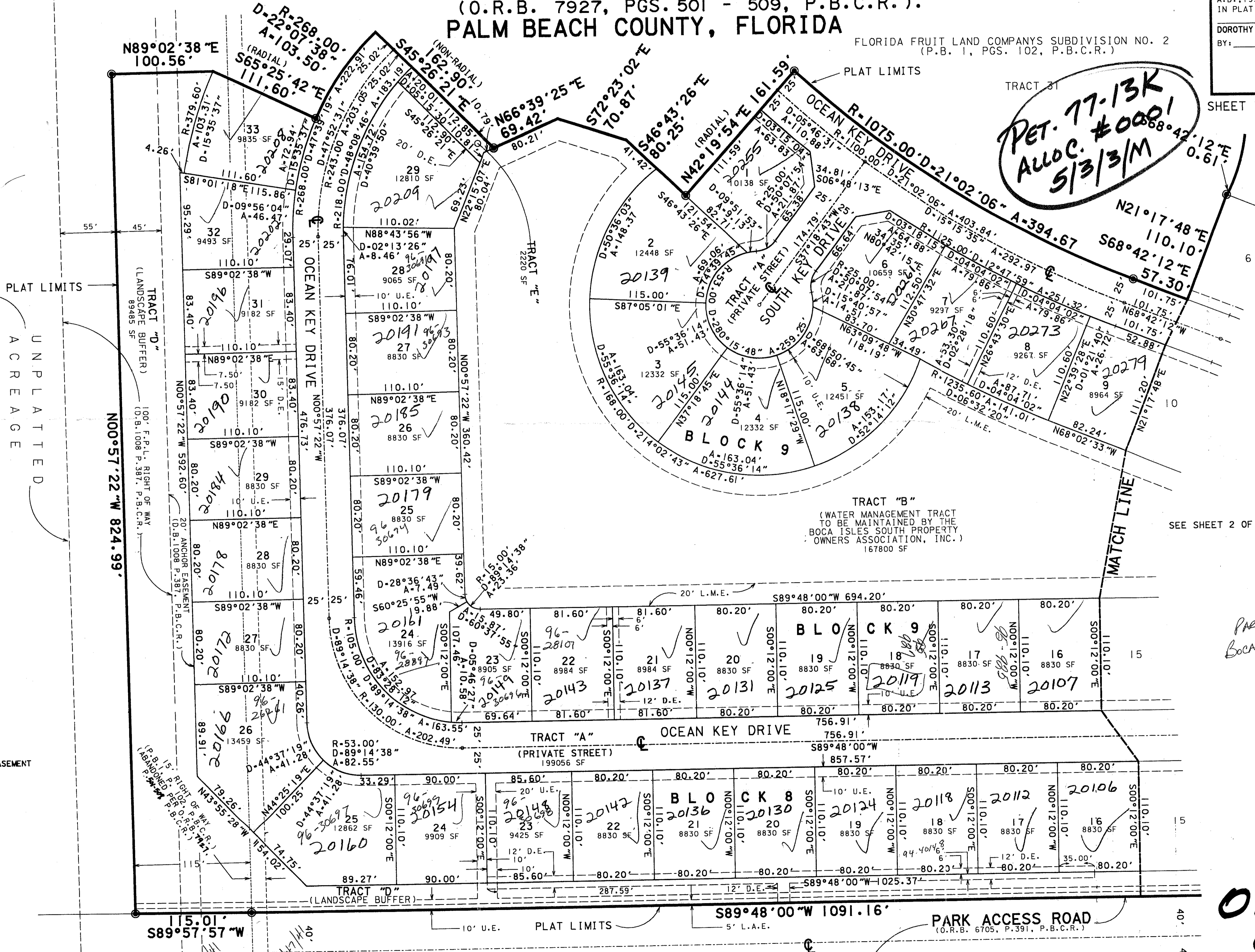
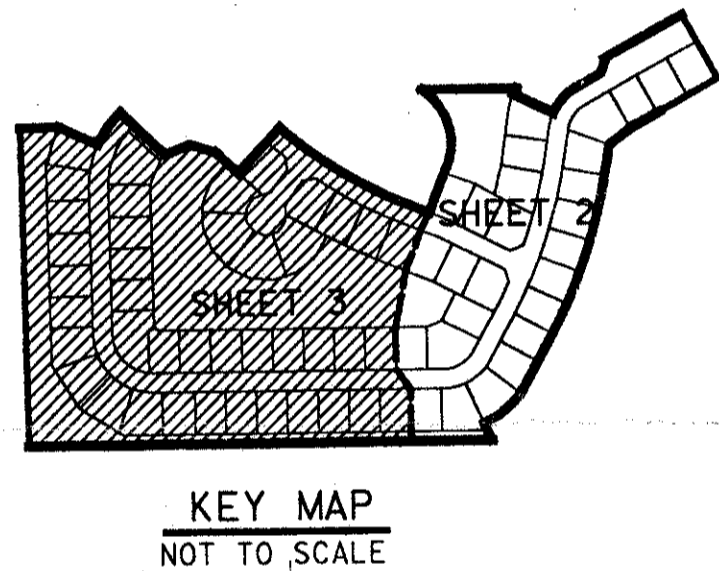
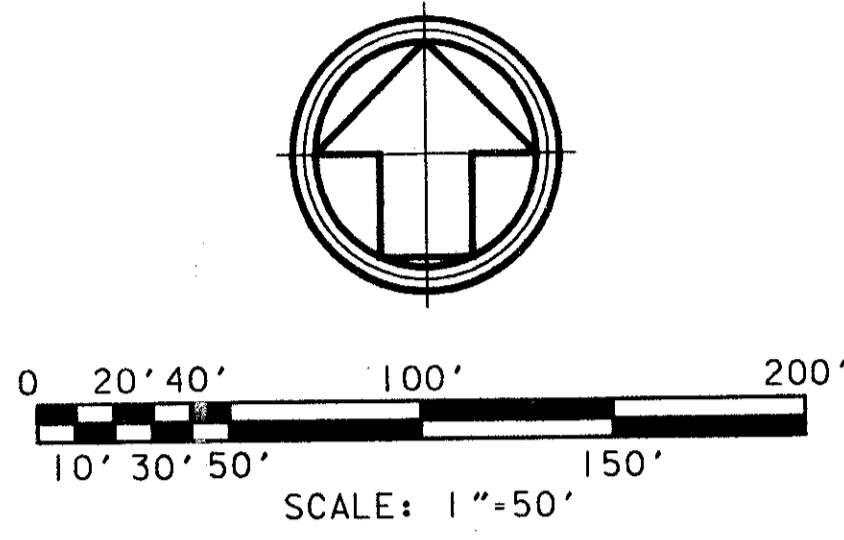
A PORTION OF SECTION 14, TOWNSHIP 47 SOUTH, RANGE 41 EAST, TOGETHER WITH A REPLAT OF PORTIONS OF TRACTS 17, 18, 19, 29, 30, AND 31, SECTION 13, TOWNSHIP 47 SOUTH, RANGE 41 EAST, "FLORIDA FRUIT LANDS COMPANY'S SUBDIVISION NO. 2", (P.B. 1, PG. 102, P.B.C.R.) AND A PORTION OF THE ABANDONED 15.00 FOOT WIDE ROAD RIGHT-OF-WAY (O.R.B. 7927, PGS. 501 - 509, P.B.C.R.).

PALM BEACH COUNTY, FLORIDA

FLORIDA FRUIT LAND COMPANYS SUBDIVISION NO. 2
 (P.B. 1, PGS. 102, P.B.C.R.)

181
 STATE OF FLORIDA
 COUNTY OF PALM BEACH
 THIS PLAT WAS FILED FOR
 RECORD AT _____
 THIS _____ DAY OF _____
 A.D., 1994 AND DULY RECORDED
 IN PLAT BOOK _____ ON PAGES
 _____ THROUGH _____
 DOROTHY H. WILKEN, CLERK
 BY: _____ DC

SHEET 3 OF 3 SHEETS



PET. 77-13K
ALLOC. #0001
5/3/3/M

TRACT "B"
 (WATER MANAGEMENT TRACT TO BE MAINTAINED BY THE BOCA ISLES SOUTH PROPERTY OWNERS ASSOCIATION, INC.)
 167800 SF

SEE SHEET 2 OF 3

PARCEL SF
 BOCA GREENS PUD

- LEGEND:**
- DENOTES SET PERMANENT REFERENCE MONUMENT P.L.S. NO. 5273 (UNLESS OTHERWISE INDICATED)
 - DENOTES PERMANENT CONTROL POINT
 - DENOTES CENTERLINE
 - DENOTES ARC LENGTH
 - DENOTES DELTA (CENTRAL ANGLE)
 - DENOTES DRAINAGE EASEMENT
 - DENOTES LIMITED ACCESS EASEMENT
 - DENOTES LAKE MAINTENANCE ACCESS EASEMENT
 - DENOTES LAKE MAINTENANCE EASEMENT
 - DENOTES NON-RADIAL
 - DENOTES OFFICIAL RECORDS BOOK
 - DENOTES PALM BEACH COUNTY RECORDS
 - DENOTES PLAT BOOK
 - DENOTES PAGE
 - DENOTES POINT OF BEGINNING
 - DENOTES POINT OF COMMENCEMENT
 - DENOTES PLANNED UNIT DEVELOPMENT
 - DENOTES RADIUS
 - DENOTES SQUARE FEET (TYP)
 - DENOTES TYPICAL
 - DENOTES UTILITY EASEMENT

Subdivision # Boca Isles South
 BOOK 13 FLOOD MAP # 1008
 QUAD 68 ZONING REATS
 SE 75-687713 ZIP CODE 33424
 PUD NAME Boca Greens PUD
 TAZ-177

0208-022
BOCA ISLES SOUTH PHASE SF 73/181

EAST LINE SECTION 14-47-141 WEST LINE SECTION 13-47-41